

(P) 8782A ASSEMBLY DRAWINGS

Remove this section for easy reference during assembly.

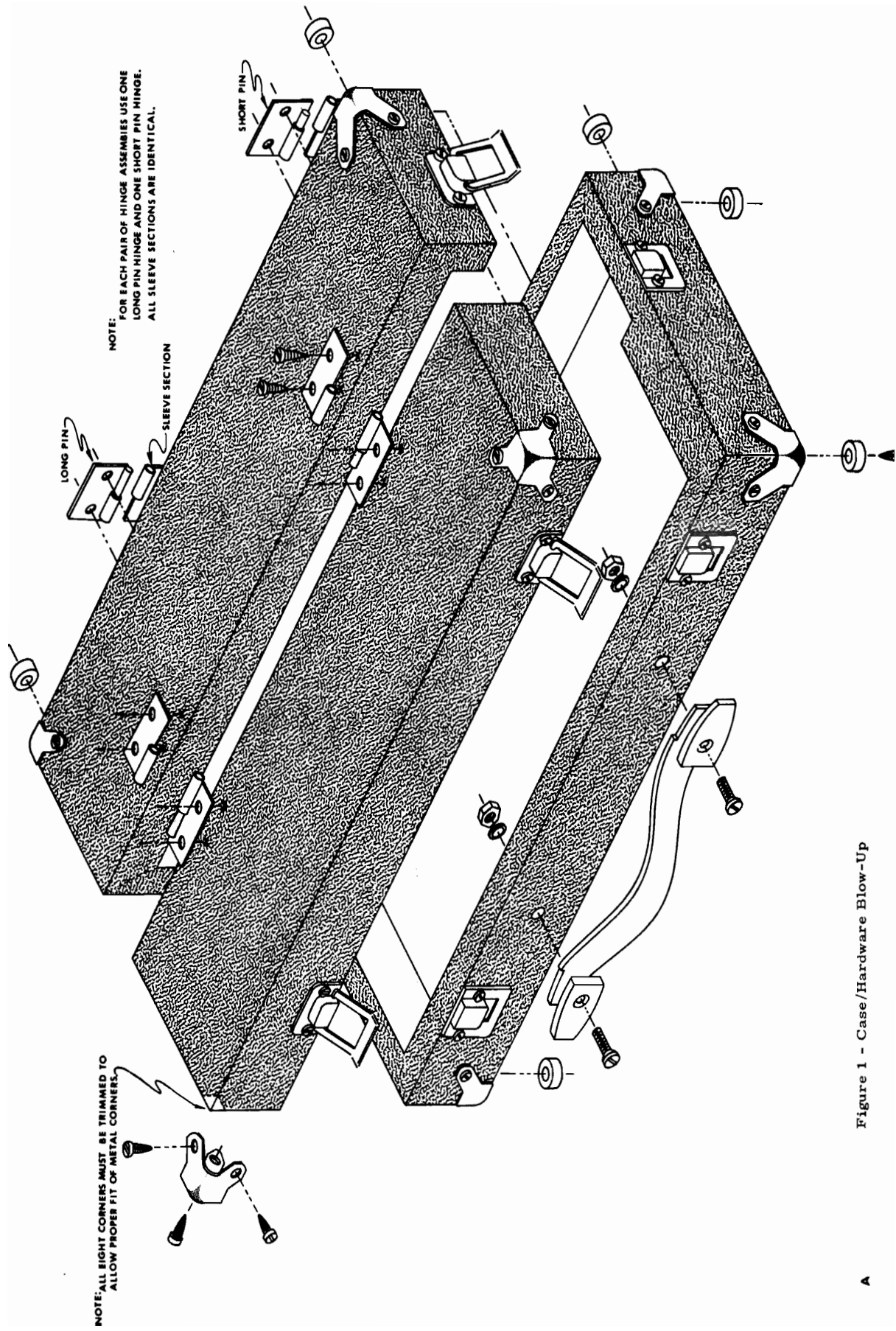


Figure 1 - Case/Hardware Blow-Up

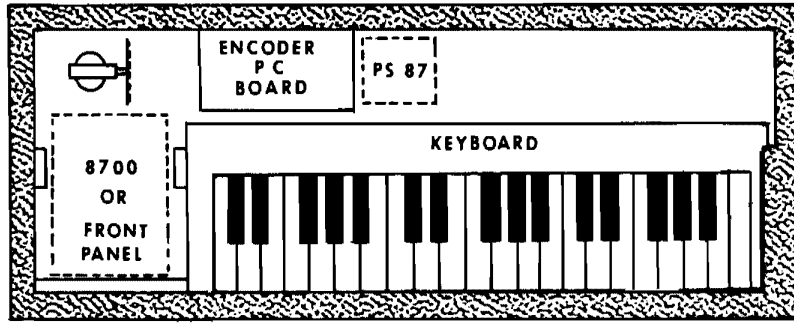


Figure 6

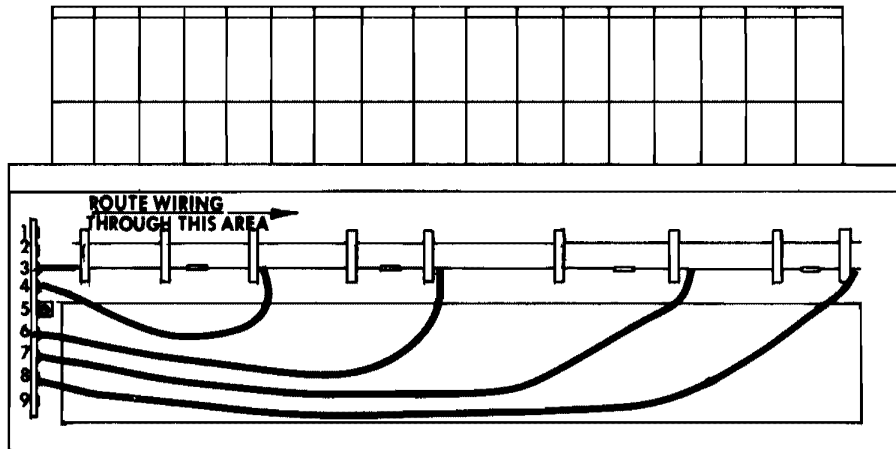


Figure 7

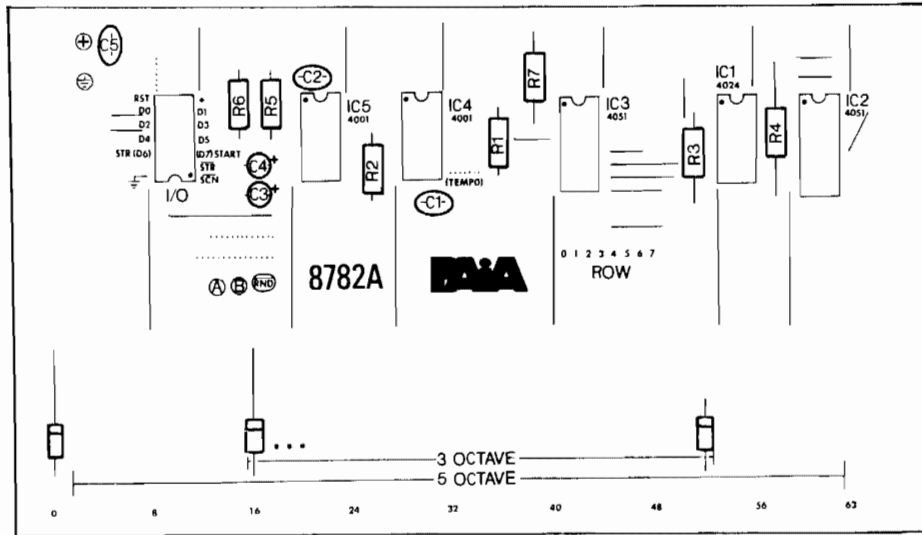


Figure 8

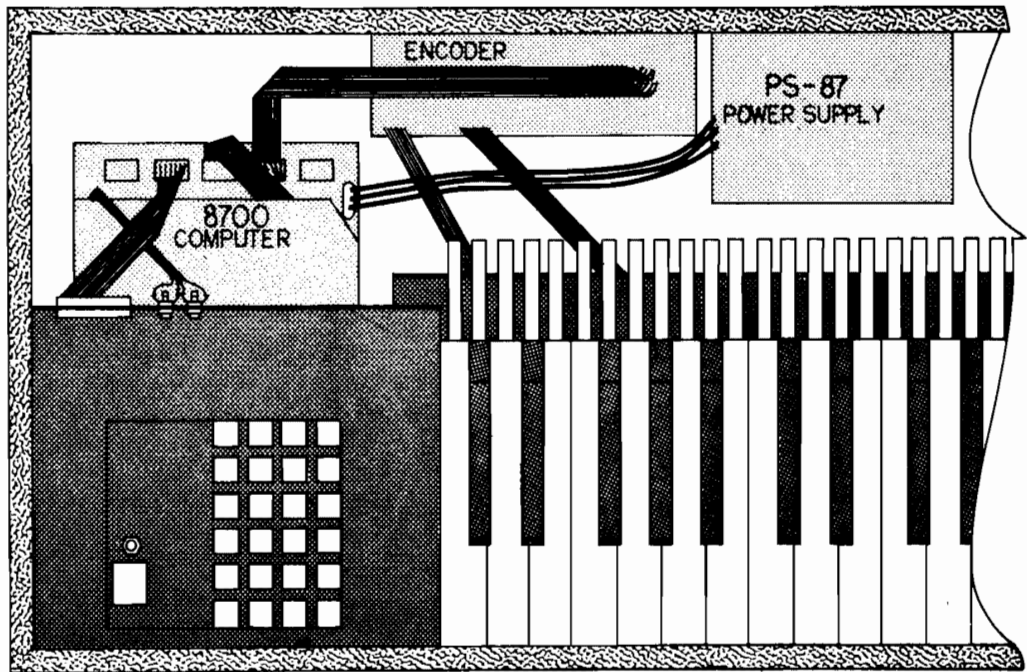


Figure 14

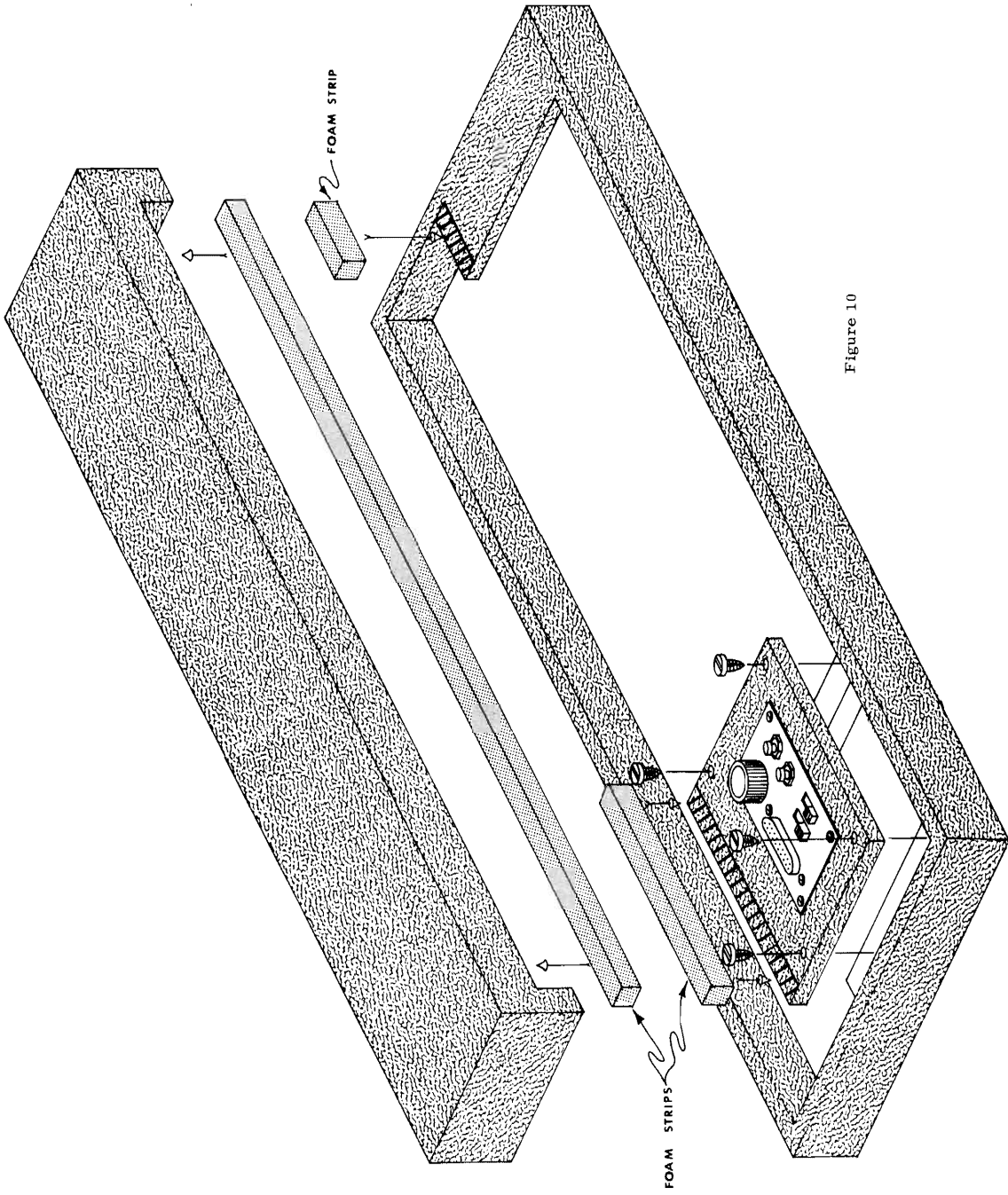


Figure 10

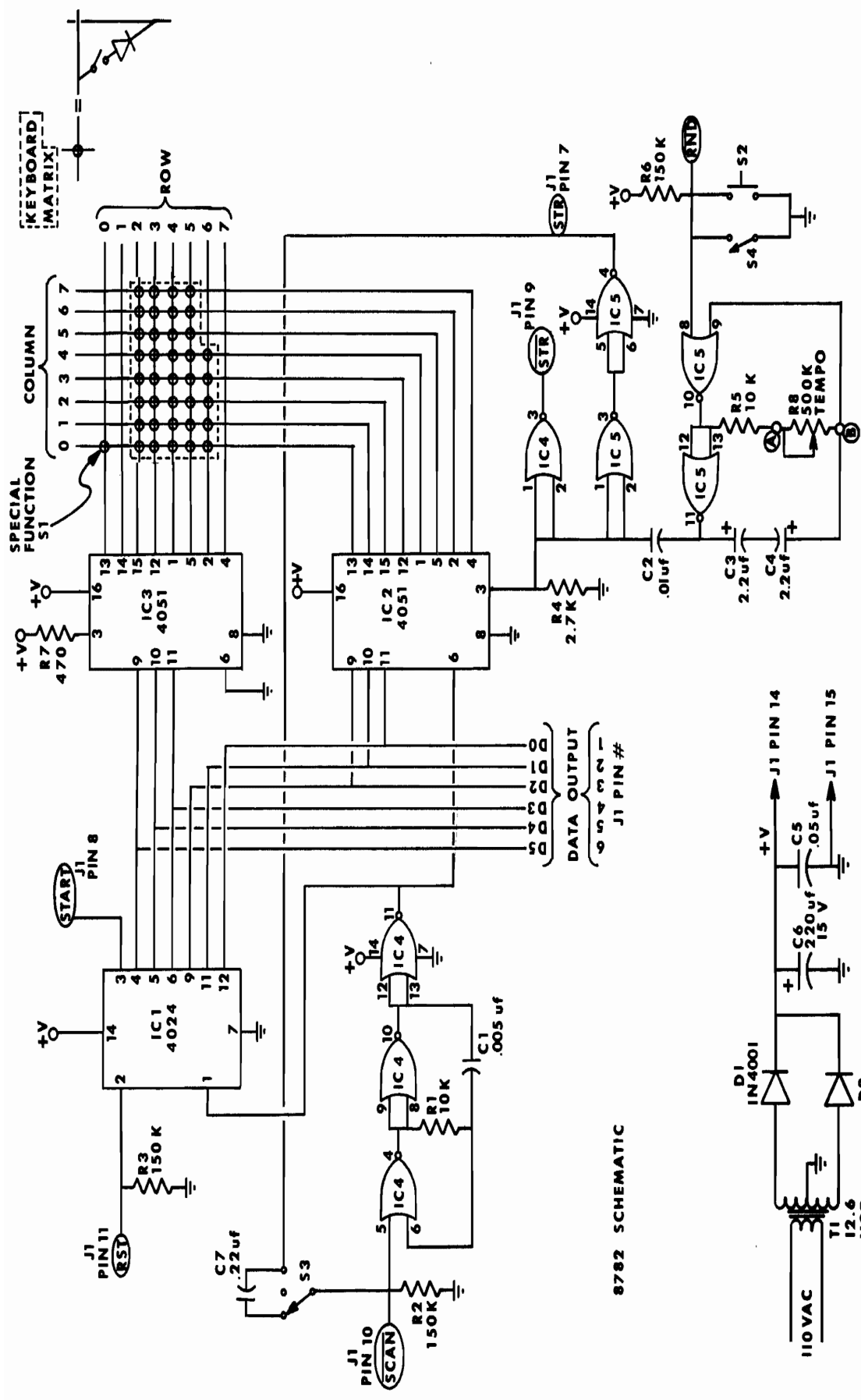


Figure 16